

# Phono<sup>®</sup> Solar

## TwinPlus Module

Perc/370-385W



**PID Resistant**



**Better shading tolerance**



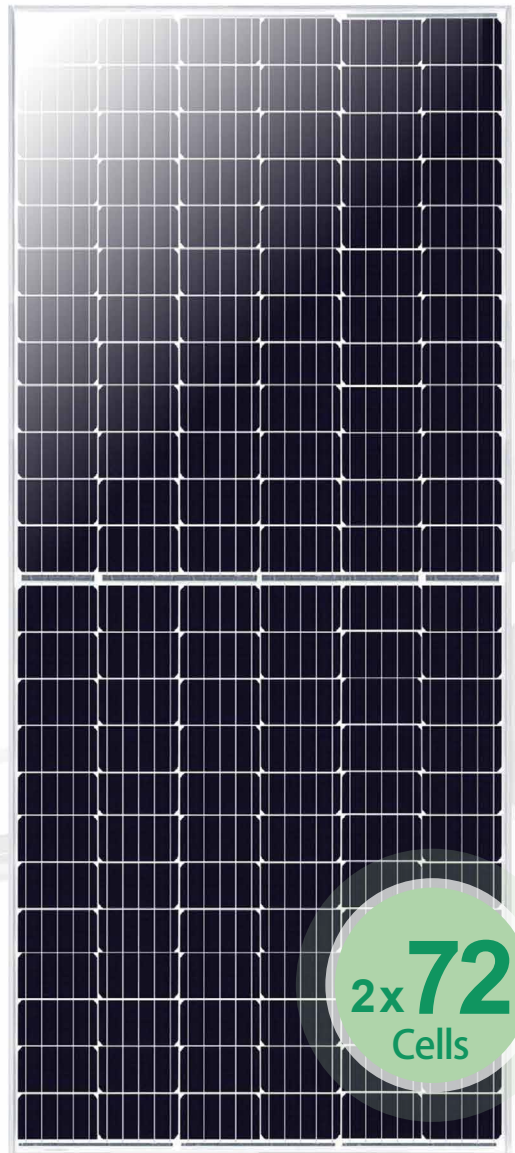
**More Reliable**

Lower hot spot temperature

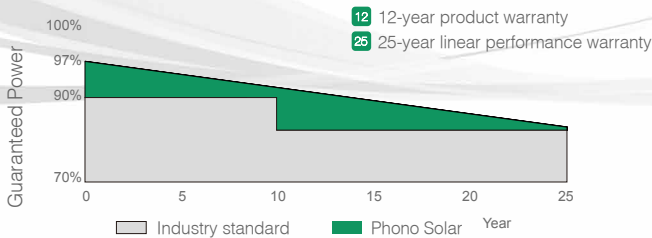


**More Power**

Low power loss in cell connection  
Low temperature coefficient (Pmax):  $-0.417\% / ^\circ\text{C}$   
Low NOCT:  $45 \pm 2^\circ\text{C}$



2x72  
Cells



EN EN-20190411

## ELECTRICAL TYPICAL VALUES

Model	PS370M-24/TH PS370MH-24/TH	PS375M-24/TH PS375MH-24/TH	PS380M-24/TH PS380MH-24/TH	PS385M-24/TH PS385MH-24/TH
Type	Monocrystalline 6 inch x 3 inch square			
Rated Power (Pmpp)	370W	375W	380W	385W
Tolerance	0~+5w			
Rated Current (Impp)	9.35	9.43	9.50	9.58
Rated Voltage (Vmpp)	39.60	39.81	40.02	40.21
Short Circuit Current (Isc)	9.85	9.93	10.01	10.08
Open Circuit Voltage (Voc)	47.40	47.61	47.80	48.00
Module Efficiency (%)	18.65	18.90	19.15	19.40
NOCT (Nominal Operation Cell Temperature)	45±2°C			
Voltage Temperature Coefficient	-0.306%/°C			
Current Temperature Coefficient	+0.046%/°C			
Power Temperature Coefficient	-0.417%/°C			

## MECHANICAL CHARACTERISTICS

Dimension (L x W x H)	Length: 2000mm (78.75 inch) Width: 992mm (39.06 inch) Height: 40mm (1.57 inch)
Weight	22.6kg (49.8 lbs)
Front Glass	3.2mm toughened glass
Frame	Anodized aluminium alloy
Cable	4mm <sup>2</sup> (IEC) , Length: 1200mm
Junction Box	IP 68 rated

## ABSOLUTE MAXIMUM RATING

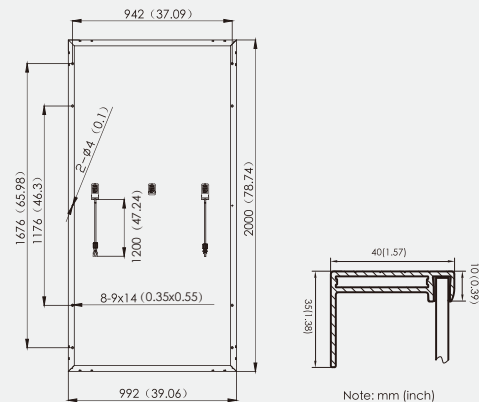
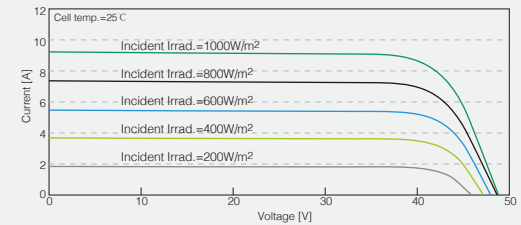
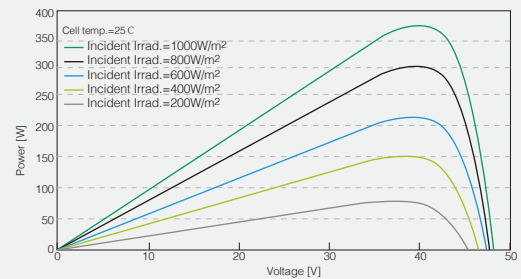
Parameter	Values
Operating Temperature	From -40 to +85°C
Hail Diameter @ 80km/h	Up to 25mm
Surface Maximum Load Capacity	Up to 5400Pa
Maximum Series Fuse Rating	20A
Application Class	A
Fire Performance Class	Class C/Type1
Maximum System Voltage	DC 1000V/1500V (IEC/ETL)

## PACKING CONFIGURATION

Container	40' HQ
Pieces/Container	594

- In compliance with our warranty terms and conditions.
- Measurement conditions under irradiance level of Standard Test Conditions(STC): 1000W/m<sup>2</sup>  
Air mass 1.5 Spectrum, cell temperature of 25°C.

## ELECTRICAL CHARACTERISTICS



**Phono<sup>®</sup> Solar**

**Note:** This datasheet is not legally binding. Phono Solar Technology Co., Ltd. reserves the right to adjust specifications without notice. Further information please refer to our [Website:www.phonosolar.com](http://www.phonosolar.com), [E-mail:info@phonosolar.com](mailto:info@phonosolar.com)